

auto electrical parts

Technical Information Sheet

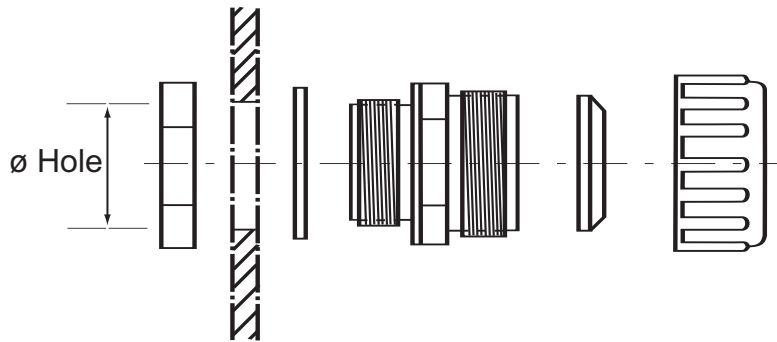
Part No. 0-330-77 to 92

Black nylon sealed connection gland. Comes with sealing rings to provide protection to IP67, use with un-split tubing.

	NW	ø Hole
0-330-77	7.5	16mm
0-330-80	10	16mm
0-330-83	13	20mm
0-330-87	17	20mm
0-330-92	22	25mm



Technical Drawing (not to scale)



Specification

Type	Sealed in-line connection gland
Material - housing and nut	Nylon (Polyamide)
- seal	Neoprene
Temperature range	-25° to + 80°C
Protection	IP67

The information contained in this document is correct to the best of our knowledge at the time of printing. However, specifications may change at any time without notice.